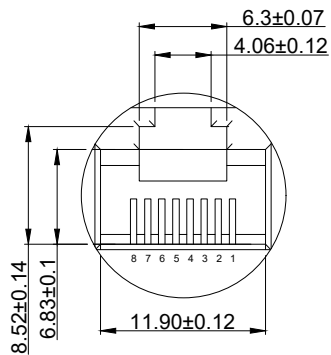
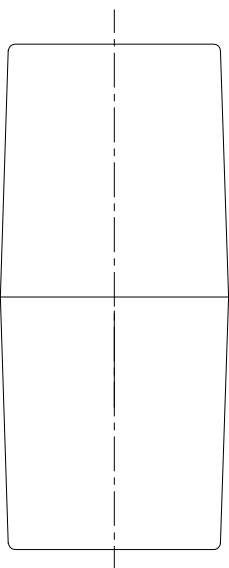
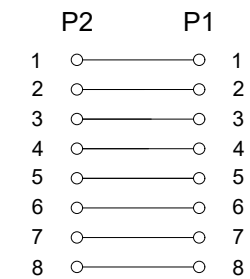


Chassis: ABS UL 94V-2 color ivory
 Terminal: phosphor bronze Au flash plating
 Terminal insert: ABS UL 94V-2
 Wiring board: FR4 UL 94V-0
 Voltage rating: 150V AC RMS
 Current rating: 1.5A
 Contact resistance: 20mΩ max.
 Insulation Resistance: 1000MΩ @ 500VDC
 Withstand voltage:
 1000V AC RMS 50 or 60Hz for one minute
 Durability: 750 cycles



DETAIL A



WIRING DIAGRAM

		UNIT	mm
		REVISION	07
PRODUCT		RJ45 Coupler Cat.5e	
DWG NO.	EZC0745-18N11-04	PART NO.	
PROJECTION	SCALE	SHEET	1 OF 1
		TOLERANCES 00~15 ± 0.15 15~30 ± 0.20 30~ ± 0.25 Angle ± 1°	